

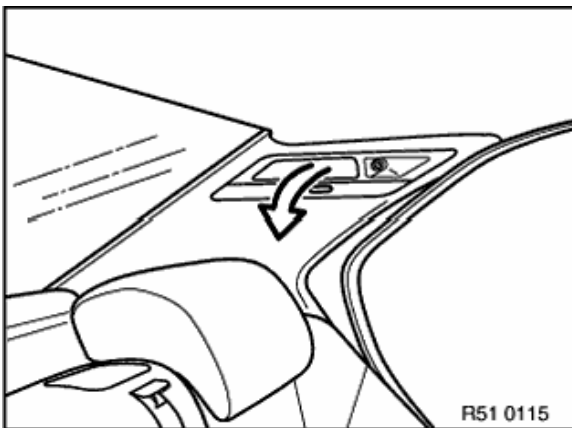
**Warning!**

Version with head airbag:

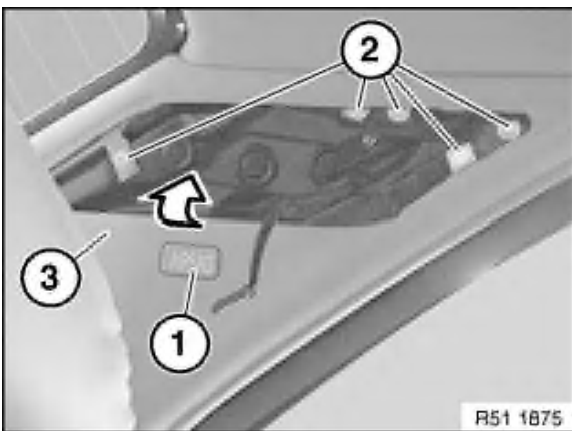
Follow safety instructions for working on cars with airbag systems,
refer to 51 00 ...

Caution!

Do not use sharp-edged tools to remove trim (risk of damage to head air bag).



Lever out top interior light,
take out towards top and
disconnect plug connection.



Version with head airbag in rear compartment:

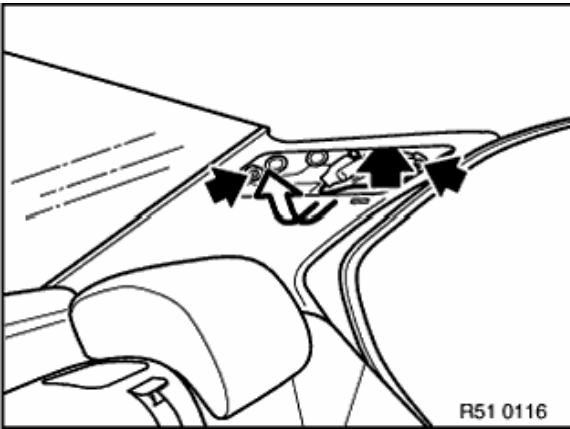
Can be identified by airbag emblem (1).

Unfasten screws (2).

Take out panel (3) towards inside at top.

Installation:

Tightening Torque,
refer to Technical Data 51 43 1AZ.



Version without head airbag in rear compartment:

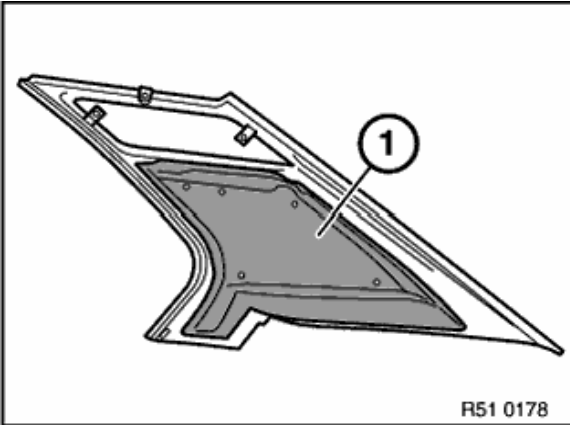
Unfasten screws.

Take out panel towards inside at top.

Installation:

Tightening Torque,

refer to Technical Data 51 43 1AZ.



Only replacing:

Remove insulating mat (1) and glue to new C-pillar finisher.