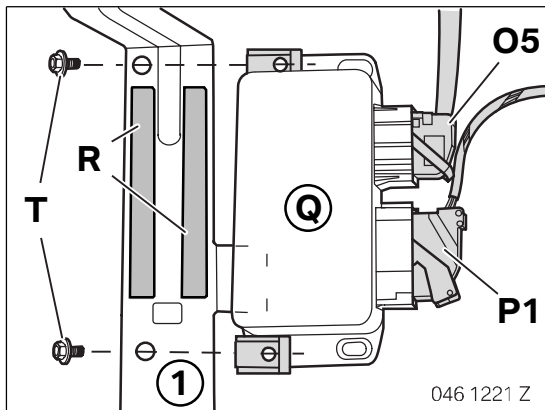
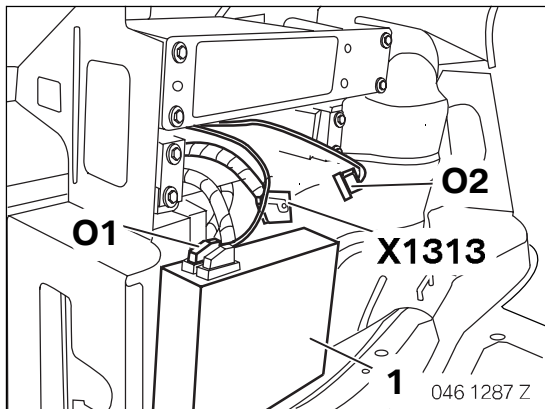


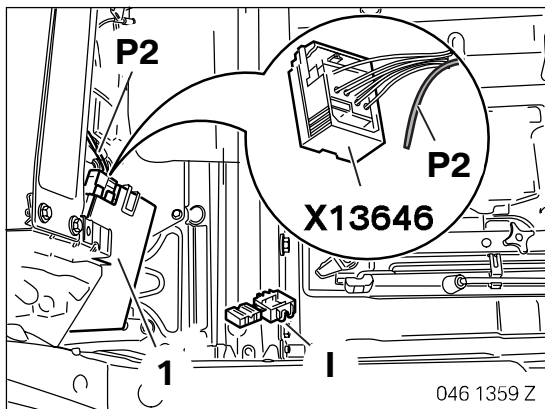
11. To install and connect the wiring harness (cars without TV function only)



Stick sealing strips **R** onto the base holder (1).
Use screws **T** to screw switchbox **Q** onto the base holder (1).
Connect branches **O5** and **P1** to switchbox **Q**.
Install the base holder (1).



Disconnect blue plug **X1313** on the navigation computer (1).
- Connect branch **O2** to plug **X1313**
- Connect branch **O1** to the navigation computer (1)
Install the navigation computer (1).



Route branch **P2** to the radio receiver (1).
Use miniature connector **I** to connect branch **P2** to the outgoing violet/white cable of plug **X13646** (PIN 16).