



Parts and Accessories Installation Instructions

Installation kit for new generation radio

Valid for all cars with a black 17-pin radio connection plug

Retrofit/Installation kit No. 65 12 0 029 843

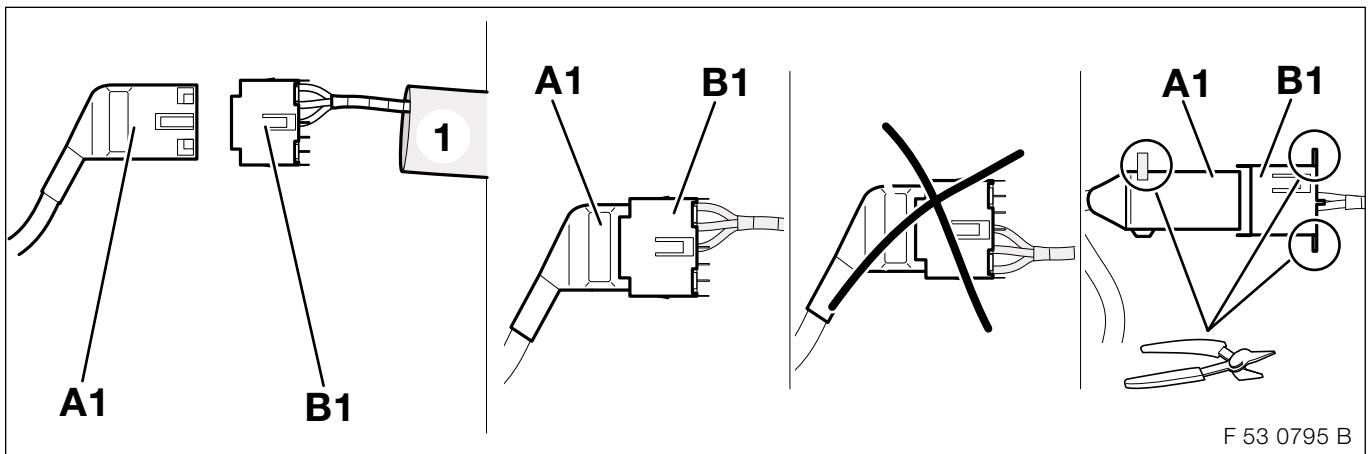
Important information!



The aerial diplexer fitted in the car must be replaced as set out in the electronic parts catalogue (EPC). ◀

Ensure that the cables/lines are not kinked or damaged as you install them in the car. Additional cables/lines that you install must be secured with cable ties where necessary.

1. To connect the adapter cable for the CD changer (only required in cars with a CD changer)



Push the shrink hose (1) over branch **B1**, silver 10-pin plug casing on the adapter cable and connect it to branch **A1**, silver 10-pin socket casing on the control cable.



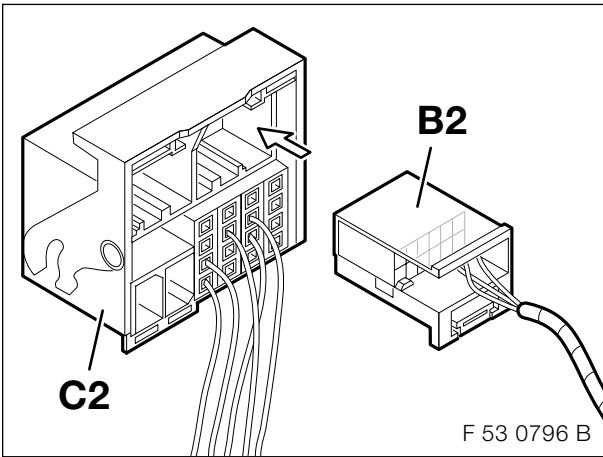
When connecting **A1** to **B1** ensure that they are correctly positioned, see figure. ◀

All the sharp metal and plastic tips are to be cut off the plug connection **A1** and **B1** using an angle cutter.



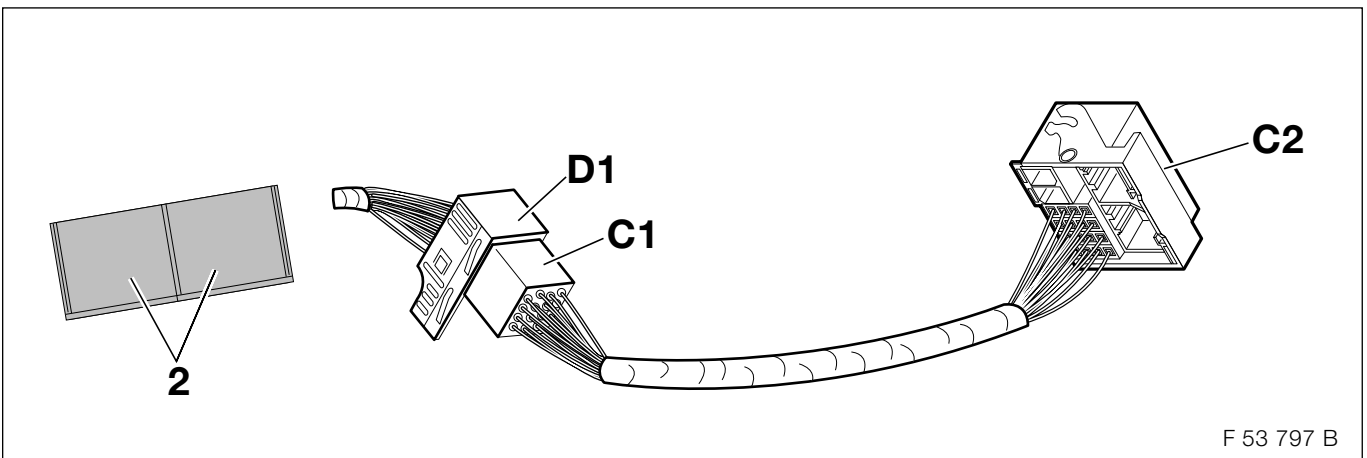
There must be no sharp edges or corners on plug connection **A1** and **B1**. ◀

Push the shrink hose (1) over the plug connection **A1** and **B1** and melt it with a hot air blower.



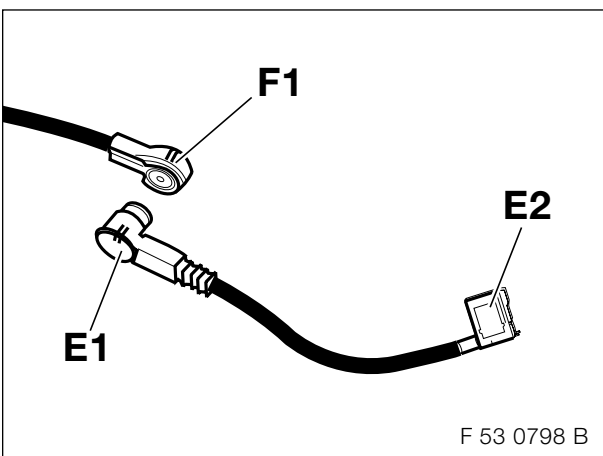
Connect the white 12-pin socket casing **B2** on the control cable to the new general radio connection plug **C2**.

2. To connect the adapter cable power supply and speaker




Connect the black 17-pin on-board monitor radio connection plug **D1** on the on-board monitor radio wiring harness to branch **C1**, black 17-pin plug casing on the adapter cable. Affix a protective strip (2) on to the second protective strip (2) and then wrap it around the new plug connection **D1** and **C1**.

3. To connect the aerial adapter cable



Connect the coaxial plug **E1** on the adapter aerial cable to the coaxial socket casing **F1**.

Connect the coaxial socket casing **E2** and the new generation radio connection plug to the new generation radio.

 When installing the new generation radio ensure that no cables area jammed or damaged. ◀